



# REPAIR PARTS

## GMH 80% Two Stage Upflow Horizontal Gas Furnace

GMH80403ANBD  
GMH80403AXBD  
GMH80603ANBD  
GMH80603AXBD  
GMH80604BNBD  
GMH80604BXBD  
GMH80803BNBD  
GMH80803BXBD  
GMH80804BNBD  
GMH80804BXBD  
GMH80805CNBD  
GMH80805CXBD  
GMH81005CNBD  
GMH81005CXBD  
GMH81205DNBB  
GMH81205DXBB  
GMH81405DNCE



This manual is to be used by qualified technicians only.

© 2018 Goodman Manufacturing Company, L.P. ♦ 5151 San Felipe St, Suite 500 ♦ Houston, TX 77056

# Important Information

---

## Index

Functional Parts List .....	3
Illustration and Parts .....	4 - 9

*Views shown are for parts illustrations only, not servicing procedures.*

### Text Codes:

AR - As Required

NA - Not Available

NS - Not Shown

00000000 - See Note

QTY - Quantity Example (QTY 3) (If Quantity not shown, Quantity = 1)

M - Model Example (M1) (If M Code not shown, then part is used on all Models)

### Expanded Model Nomenclature:

Example M1 - Model#1 M2 - Model#2 M3 - Model#3
---

Goodman Manufacturing Company, L.P. is not responsible for personal injury or property damage resulting from improper service. Review all service information before beginning repairs.

Warranty service must be performed by an authorized technician, using authorized factory parts. If service is required after the warranty expires, Goodman Manufacturing Company, L.P. also recommends contacting an authorized technician and using authorized factory parts.

Goodman Manufacturing Company, L.P. reserves the right to discontinue, or change at any time, specifications or designs without notice or without incurring obligations.

For assistance within the U.S.A. contact:  
Homeowner Support  
Goodman Manufacturing Company, L.P.  
19001 Kermier Road  
Waller, Texas 77484  
877-254-4729-Telephone  
713-863-2382-Facsimile

For assistance outside the U.S.A. contact:  
International Division  
Goodman Manufacturing Company, L.P.  
19001 Kermier Road  
Waller, Texas 77484  
713-861-2500-Telephone  
713-863-2382-Facsimile

# Functional Parts

## Part

## No: Description:

20162904	*PRIMARY LIMIT-TEMPERATURE CONTROL (M3, M4, M5, M6, M7, M8, M9, M10, M13, M14) *Refer to service bulletin SF-054
0130F00042	AIR PRESSURE SWITCH (M15, M16, M17)
B1370158	AIR PRESSURE SWITCH, LIME (M1, M2, M7, M8, M9, M10, M13, M14)
B1370179	AIR PRESSURE SWITCH, PINK (M3, M4, M5, M6, M11, M12)
0130F00038	AUX LIMIT - LT BLUE 120°
B1368034	BLOWER WHEEL (10 X 6) (M1, M2, M3, M4)
B1368058	Blower Wheel (10 X 8) (M7, M8)
B1368000	BLOWER WHEEL (11 X 10) (M15, M16, M17)
CAP200000370CP	CAP, 20 MFD/370V/ RD (M1, M2, M3, M4, M5, M6, M7, M8, M9, M10, M11, M12, M13, M14)
CAP250000370CP	CAP, 25 MFD/370V/ RD (M15, M16, M17)
0130F00010	FLAME SENSOR
0151M00027	GAS VALVE
10690402	INTERLOCK SWITCH
20162901	LIMIT (M1, M2)
10123529	MANUAL RESET R.O.S. LIMIT (QTY 2)
0131F00042	MOTOR, 1/2HP, 4SP, 6PL (M5, M6, M9, M10)
0131F00043	MOTOR, 1/2HP, 4SP, 6PL (M11, M12, M13, M14)
0131F00041	MOTOR, 1/3HP, 4SP, 6PL (M1, M2, M3, M4, M7, M8)
0131M00002P	MOTOR, VENT 80+
20046618	MOTOR-BLOW 3/4 HP (M15, M16, M17)
PCBBF132	PCB 2STAGE HYBRID FURNACE CNTL
20162903	PRIMARY LIMIT - BLUE (M11, M12, M15, M16, M17)
0130F00008	SINI IGNITOR
0130M00140	TRANSFORMER,(120V TO 24V,40VA,
0150M00042	WHEEL, BLOWER (10 X 10) (M11, M12, M13, M14)
0150M00043	WHEEL, BLOWER (10 X 8) (M5, M6, M9, M10)

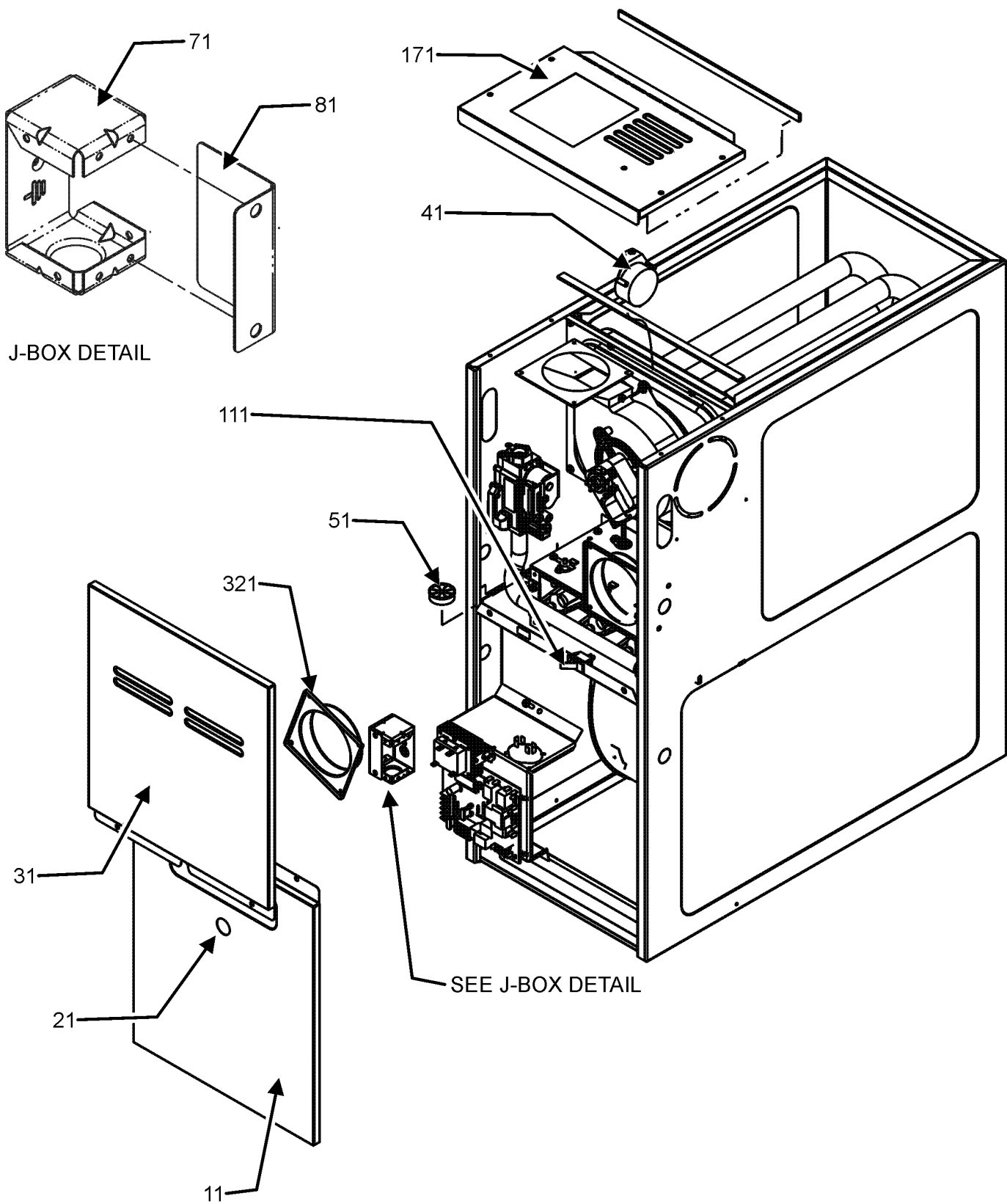
## Expanded Model Nomenclature

M1 - GMH80403ANBD
M2 - GMH80403AXBD
M3 - GMH80603ANBD
M4 - GMH80603AXBD
M5 - GMH80604BNBD
M6 - GMH80604BXBD
M7 - GMH80803BNBD
M8 - GMH80803BXBD
M9 - GMH80804BNBD
M10 - GMH80804BXBD
M11 - GMH80805CNBD
M12 - GMH80805CXBD
M13 - GMH81005CNBD
M14 - GMH81005CXBD
M15 - GMH81205DNBB
M16 - GMH81205DXBB
M17 - GMH81405DNCE

## SPECIAL PARTS

0161F00007	GOODMAN NAMEPLATE
------------	-------------------

# Cabinet Assembly



# Cabinet Assembly

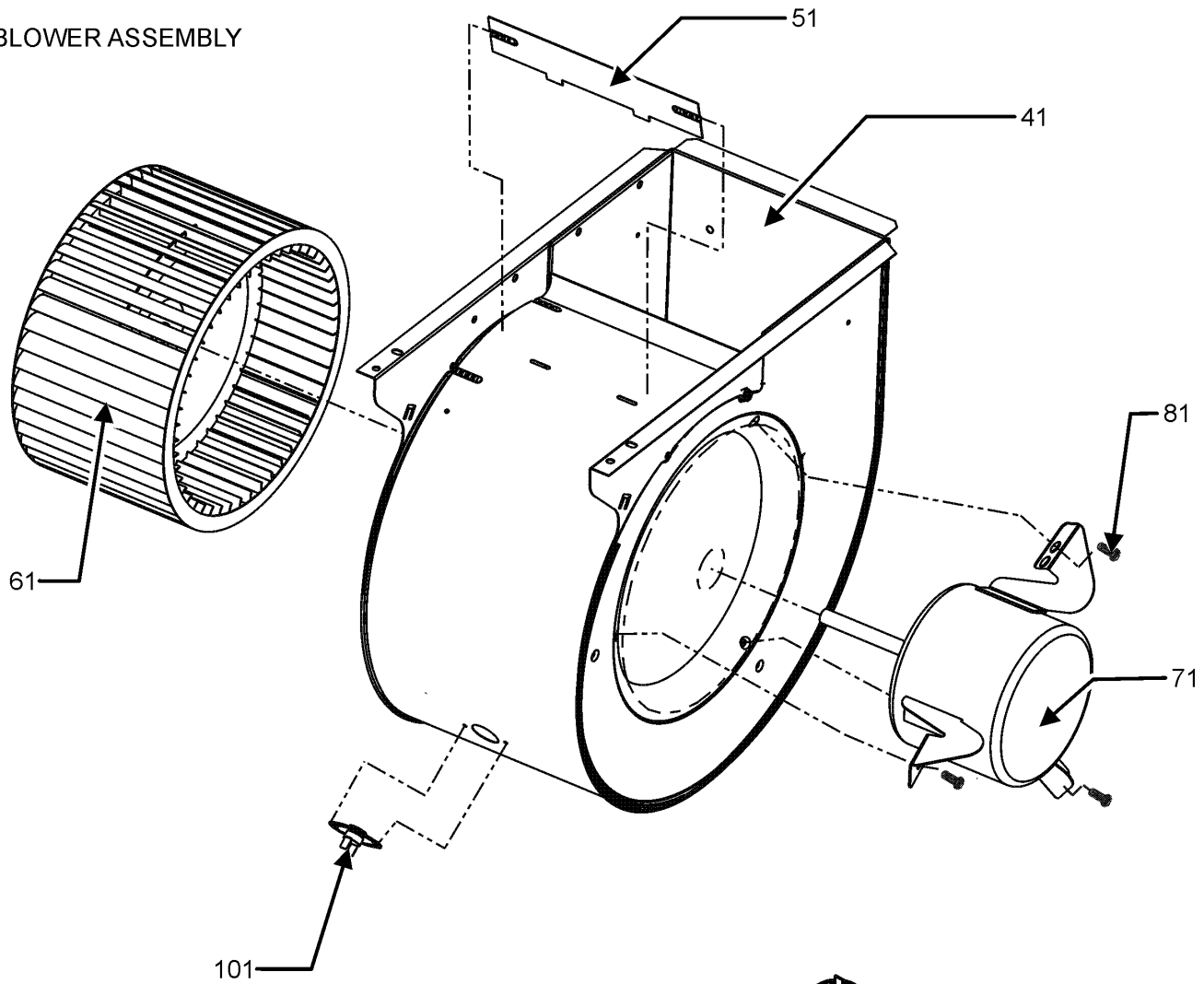
Ref. Part No:	Part No:	Description:	Ref. Part No:	Part No:	Description:
<b>Image 1:</b>					
11	0121F00122DG	DOOR, BLOWER, 14"-PAINTED (M1, M2, M3, M4)			
11	0121F00123DG	DOOR, BLOWER, 17.5"-PAINTED (M5, M6, M7, M8, M9, M10)			
11	0121F00124DG	DOOR, BLOWER, 21"-PAINTED (M11, M12, M13, M14)			
11	0121F00125DG	DOOR, BLOWER, 24.5"-PAINTED (M15, M16, M17)			
21	B1392139	VIEW PORT BUSHING-BLOWER DOOR			
31	0121F00118DG	DOOR CTRL ACCESS, 14"-PAINTED (M1, M2, M3, M4)			
31	0121F00120DG	DOOR CTRL ACCESS, 21"-PAINTED (M11, M12, M13, M14)			
31	0121F00119DG	DOOR CTRL ACCESS, 17.5"-PAINTED (M5, M6, M7, M8, M9, M10)			
31	0121F00121DG	DOOR CTRL ACCESS, 24.5"-PAINTED (M15, M16, M17)			
41	0130F00042	AIR PRESSURE SWITCH (M15, M16, M17)			
41	B1370158	AIR PRESSURE SWITCH, LIME (M1, M2, M7, M8, M9, M10, M13, M14)			
41	B1370179	AIR PRESSURE SWITCH, PINK (M3, M4, M5, M6, M11, M12)			
51	B1392147	UNIVERSAL BUSHING WITH SLICE (M2, M3, M4, M5, M6, M7, M8, M9, M10, M11, M12, M13, M14, M15, M16, M17)			
71	4014502	J-BOX			
81	4015502	J-BOX COVER			
111	10690402	INTERLOCK SWITCH			
171	0121F00141DG	TOP, FURNACE 14"-PAINTED (M2, M3, M4)			
171	0121F00141DG	TOP, FURNACE 14"-PAINTED (M2, M3, M4)			
171	0121F00142DG	TOP, FURNACE 17.5"-PAINTED (M5, M6, M7, M8, M9, M10)			
171	0121F00143DG	TOP, FURNACE 21"-PAINTED (M11, M12, M13, M14)			
321	4023500	CHIMNEY TRANSITION TOP (M1)			
NS	0161F00007	GOODMAN NAMEPLATE			

## Expanded Model Nomenclature

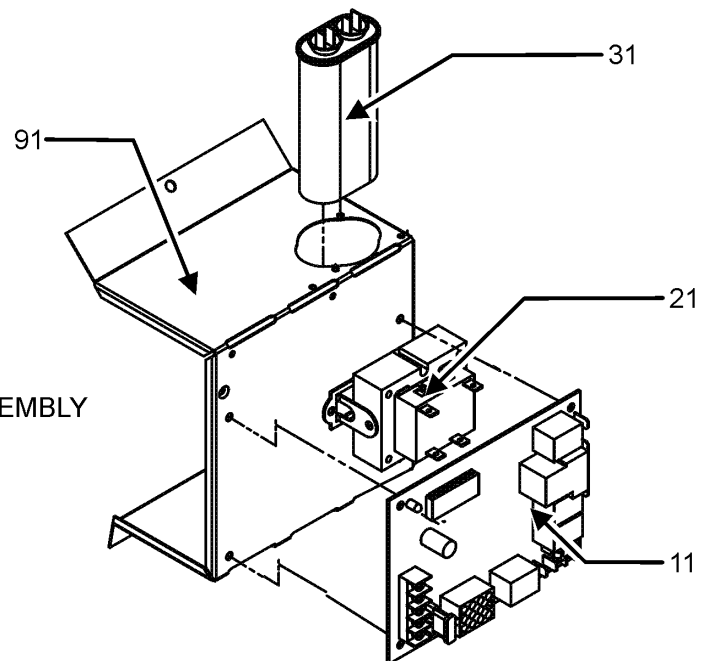
M1 - GMH80403ANBD
M2 - GMH80403AXB
M3 - GMH80603ANBD
M4 - GMH80603AXB
M5 - GMH80604BNBD
M6 - GMH80604BXBD
M7 - GMH80803BNBD
M8 - GMH80803BXBD
M9 - GMH80804BNBD
M10 - GMH80804BXBD
M11 - GMH80805CNBD
M12 - GMH80805CXBD
M13 - GMH81005CNBD
M14 - GMH81005CXBD
M15 - GMH81205DNBB
M16 - GMH81205DXBB
M17 - GMH81405DNCE

# Blower Assembly

## BLOWER ASSEMBLY



## CONTROL PANEL ASSEMBLY



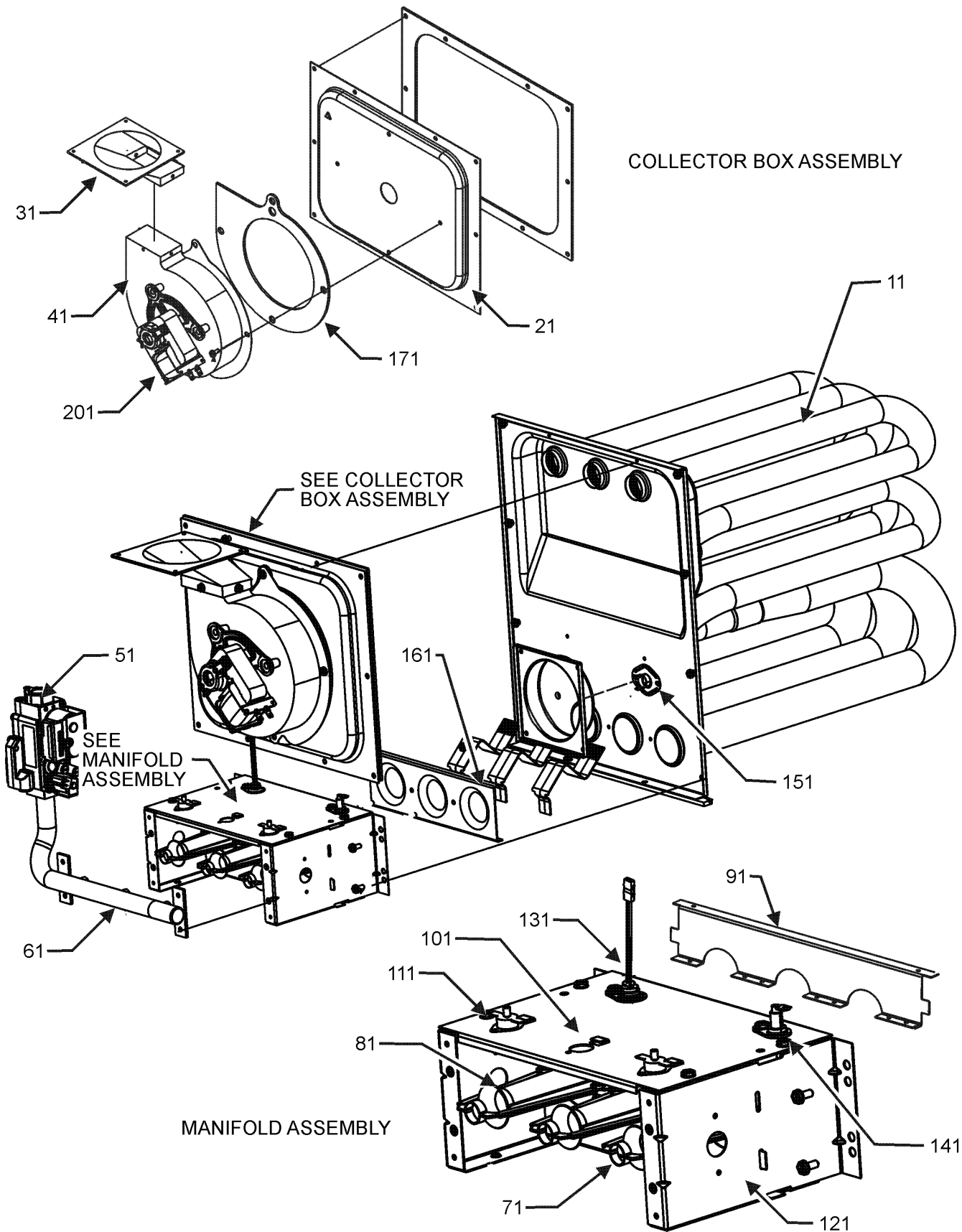
# Blower Assembly

Ref. Part No:	No:	Description:	Ref. Part No:	No:	Description:
<i>Image 1:</i>					
11	PCBBF132	PCB 2STAGE HYBRID FURNACE CNTL			
21	0130M00140	TRANSFORMER,(120V TO 24V,40VA,			
31	CAP200000370CP	CAP, 20 MFD/370V/ RD (M1, M2, M3, M4, M5, M6, M7, M8, M9, M10, M11, M12, M13, M14)			
31	CAP250000370CP	CAP, 25 MFD/370V/ RD (M15, M16, M17)			
41	2539307	BLWR SHL ASM 10X10 10X10 (M11, M12, M13, M14, M15, M16, M17)			
41	2539305	BLWR SHL ASM 10X6 10X6 (M1, M2, M3, M4)			
41	2539306	BLWR SHL ASM 10X8 10X8 (M5, M6, M7, M8, M9, M10)			
51	764741	BLWR BLK-OFF,10X10 (M11, M12, M13, M14, M15, M16, M17)			
51	764739	BLWR BLK-OFF,10X6 (M1, M2, M3, M4)			
51	764740	BLWR BLK-OFF,10X8 (M5, M6, M7, M8, M9, M10)			
61	B1368034	BLOWER WHEEL (10 X 6) (M1, M2, M3, M4)			
61	B1368058	Blower Wheel (10 X 8) (M7, M8)			
61	B1368000	BLOWER WHEEL (11 X 10) (M15, M16, M17)			
61	0150M00042	WHEEL, BLOWER (10 X 10) (M11, M12, M13, M14)			
61	0150M00043	WHEEL, BLOWER (10 X 8) (M5, M6, M9, M10)			
71	0131F00042	MOTOR, 1/2HP, 4SP, 6PL (M5, M6, M9, M10)			
71	0131F00043	MOTOR, 1/2HP, 4SP, 6PL (M11, M12, M13, M14)			
71	0131F00041	MOTOR, 1/3HP, 4SP, 6PL (M1, M2, M3, M4, M7, M8)			
71	20046618	MOTOR-BLOW 3/4 HP (M15, M16, M17)			
81	M0250558	TC SCREW (QTY 3)			
91	1815817	CONTROL MOUNT PANEL			
101	0130F00038	AUX LIMIT - LT BLUE 120°			

## Expanded Model Nomenclature

- M1 - GMH80403ANBD
- M2 - GMH80403AXBD
- M3 - GMH80603ANBD
- M4 - GMH80603AXBD
- M5 - GMH80604BNBD
- M6 - GMH80604BXBD
- M7 - GMH80803BNBD
- M8 - GMH80803BXBD
- M9 - GMH80804BNBD
- M10 - GMH80804BXBD
- M11 - GMH80805CNBD
- M12 - GMH80805CXBD
- M13 - GMH81005CNBD
- M14 - GMH81005CXBD
- M15 - GMH81205DNBB
- M16 - GMH81205DXBB
- M17 - GMH81405DNCE

# Heat Exchange Assembly



# Heat Exchange Assembly

Ref. Part No: No:	Description:	Ref. Part No: No:	Description:																	
<b>Image 1:</b>		<b>Image 1:</b>																		
11	0270F00900 HEAT EXCHANGER ASSY (M1, M2)	NS	0259F00274 WIRE HARNESS ASSY (M1, M2, M3, M4, M5, M6, M7, M8, M9, M10)																	
11	0270F00901 HEAT EXCHANGER ASSY (M3, M4)	NS	0259F00275 WIRE HARNESS ASSY (M11, M12, M13, M14, M15, M16, M17)																	
11	0270F00902 HEAT EXCHANGER ASSY (M7, M8, M9, M10)	NS	0159F00060 WIRE HARNESS ASSY., IGNITOR																	
11	0270F00903 HEAT EXCHANGER ASSY (M13, M14)	<b>Expanded Model Nomenclature</b>																		
11	0270F00904 HEAT EXCHANGER ASSY (M15, M16, M17)	<table border="1"> <tr><td>M1 - GMH80403ANBD</td></tr> <tr><td>M2 - GMH80403AXB</td></tr> <tr><td>M3 - GMH80603ANBD</td></tr> <tr><td>M4 - GMH80603AXB</td></tr> <tr><td>M5 - GMH80604BNBD</td></tr> <tr><td>M6 - GMH80604BxB</td></tr> <tr><td>M7 - GMH80803BNBD</td></tr> <tr><td>M8 - GMH80803BxB</td></tr> <tr><td>M9 - GMH80804BNBD</td></tr> <tr><td>M10 - GMH80804BxB</td></tr> <tr><td>M11 - GMH80805CNBD</td></tr> <tr><td>M12 - GMH80805CXBD</td></tr> <tr><td>M13 - GMH81005CNBD</td></tr> <tr><td>M14 - GMH81005CXBD</td></tr> <tr><td>M15 - GMH81205DNBB</td></tr> <tr><td>M16 - GMH81205DXBB</td></tr> <tr><td>M17 - GMH81405DNCE</td></tr> </table>		M1 - GMH80403ANBD	M2 - GMH80403AXB	M3 - GMH80603ANBD	M4 - GMH80603AXB	M5 - GMH80604BNBD	M6 - GMH80604BxB	M7 - GMH80803BNBD	M8 - GMH80803BxB	M9 - GMH80804BNBD	M10 - GMH80804BxB	M11 - GMH80805CNBD	M12 - GMH80805CXBD	M13 - GMH81005CNBD	M14 - GMH81005CXBD	M15 - GMH81205DNBB	M16 - GMH81205DXBB	M17 - GMH81405DNCE
M1 - GMH80403ANBD																				
M2 - GMH80403AXB																				
M3 - GMH80603ANBD																				
M4 - GMH80603AXB																				
M5 - GMH80604BNBD																				
M6 - GMH80604BxB																				
M7 - GMH80803BNBD																				
M8 - GMH80803BxB																				
M9 - GMH80804BNBD																				
M10 - GMH80804BxB																				
M11 - GMH80805CNBD																				
M12 - GMH80805CXBD																				
M13 - GMH81005CNBD																				
M14 - GMH81005CXBD																				
M15 - GMH81205DNBB																				
M16 - GMH81205DXBB																				
M17 - GMH81405DNCE																				
11	0270F00929 HEAT EXCHANGER ASSY (M5, M6)																			
11	0270F00930 HEAT EXCHANGER ASSY (M11, M12)																			
21	0121F00333 21" COLLECTOR BOX 1.75" DIA (M11, M12, M13, M14)																			
21	0121F00330 24.5" COLLECTOR BOX 2.125" DIA (M15, M16)																			
21	0121F00126 COLLECTOR BOX 14" 1.375 DIA (M1, M2)																			
21	0121F00128 COLLECTOR BOX 17.5" 1.75 DIA (M5, M6, M7, M8, M9, M10)																			
21	0121F00131 COLLECTOR BOX 24.5" 3.5 DIA (M17)																			
21	0121F00198 COLLECTOR BOX, 14" 1.75 DIA (M3, M4)																			
31	0128F00006 CHIMNEY TRANSITION BOTTOM																			
41	0131M00002P MOTOR, VENT 80+																			
51	0151M00027 GAS VALVE																			
61	0120F00006 MANIFOLD (M1, M2)																			
61	0120F00007 MANIFOLD (M3, M4, M5, M6)																			
61	0120F00008 MANIFOLD (M7, M8, M9, M10, M11, M12)																			
61	0120F00009 MANIFOLD (M13, M14)																			
61	0120F00010 MANIFOLD (M15, M16, M17)																			
71	0163F00018 ORIFICE, #43 DRILL, Green (M17)																			
71	10716005 ORIFICE, #45 DRILL (M1, M2, M3, M4, M5, M6, M7, M8, M9, M10, M11, M12, M13, M14, M15, M16)																			
81	B4022700 INSHOT BURNER ASSY 3" (QTY 2)																			
91	0121F00167 BURNER RACK, 2 CELL (M1, M2)																			
91	0121F00168 BURNER RACK, 3 CELL (M3, M4, M5, M6)																			
91	0121F00169 BURNER RACK, 4 CELL (M7, M8, M9, M10, M11, M12)																			
91	0121F00170 BURNER RACK, 5 CELL (M13, M14)																			
91	0121F00171 BURNER RACK, 6 CELL (M15, M16, M17)																			
101	0121F00162 TOP, BURNER BOX 2 CELL (M1, M2)																			
101	0121F00163 TOP, BURNER BOX 3 CELL (M3, M4, M5, M6)																			
101	0121F00164 TOP, BURNER BOX 4 CELL (M7, M8, M9, M10, M11, M12)																			
101	0121F00165 TOP, BURNER BOX 5 CELL (M13, M14)																			
101	0121F00166 TOP, BURNER BOX 6 CELL (M15, M16, M17)																			
111	10123529 MANUAL RESET R.O.S. LIMIT (QTY 2)																			
121	0121F00146 BURNER BOX SIDE (QTY 2)																			
131	0130F00008 SINI IGNITOR																			
141	0130F00010 FLAME SENSOR																			
151	20162904 *PRIMARY LIMIT-TEMPERATURE CONTROL (M3, M4, M5, M6, M7, M8, M9, M10, M13, M14) *Refer to service bulletin SF-054																			
151	20162901 LIMIT (M1, M2)																			
151	20162903 PRIMARY LIMIT - BLUE (M11, M12, M15, M16, M17)																			
161	4028000 ORIFICE PLATE, 2CELL (M1, M2)																			
161	4028001 ORIFICE PLATE, 3CELL (M3, M4, M5, M6)																			
161	4028002 ORIFICE PLATE, 4CELL (M7, M8, M9, M10, M11, M12)																			
161	4028003 ORIFICE PLATE, 5CELL (M13, M14)																			
161	4028004 ORIFICE PLATE, 6CELL (M15, M16, M17)																			
171	0154F00003 GASKET-14 INCH (M1, M2, M3, M4)																			
171	0154F00004 GASKET-17.5 INCH (M5, M6, M7, M8, M9, M10)																			
171	0154F00005 GASKET-21 INCH (M11, M12, M13, M14)																			
171	0154F00006 GASKET-24.5 INCH (M15, M16, M17)																			
201	DY6.186.070 VENT MOTOR CAPACITOR																			
NS	0259M00005 ADAPTER HARNESS																			
NS	0259F00050 KIT, WIRE HYBRID FURN																			